

# VENN 2.0

11-Sep-2018

## 2.0

LED (47W) | 220-240VAC | 50-60Hz | PCB3-step | phase-cut dim

CE IP20 960°C 10.3m P

White texture

149284W

Black texture

149284B

### LIGHT COLOUR

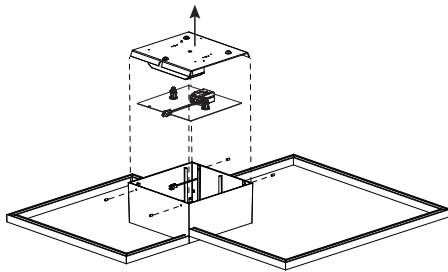
2700K | >80CRI | direct 370lm, indirect 2100lm

2

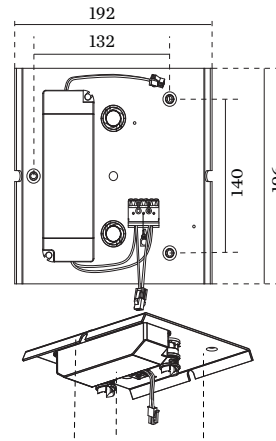
3000K | >80CRI | direct 400lm, indirect 2250lm

4

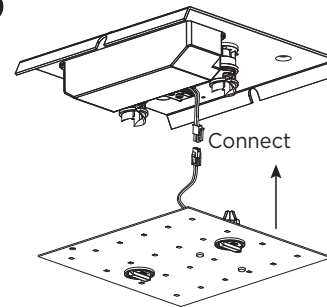
①



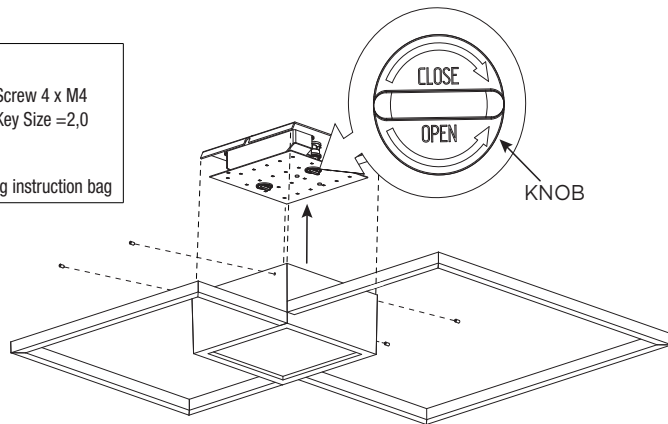
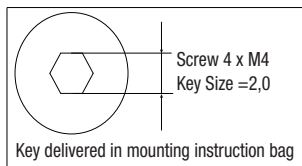
②



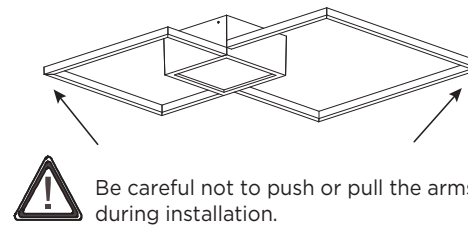
④



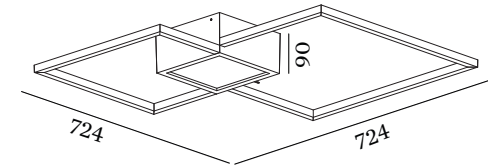
⑤



⑥



## DIMENSIONS

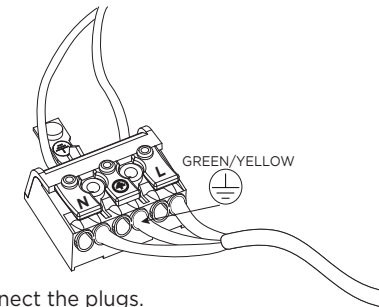


## MOUNTING PLATE FIXATION

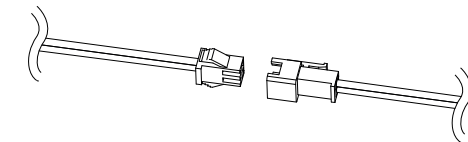
- ① Remove the mounting plate & PCBA combination and twist the two knobs (SEE DRAWING 5) of PCBA to **open** to separate them.
- ② Fixate the mounting plate to the wall/ceiling with screws.

## POWER CONNECTION

- ③ Connect the terminal block.



Connect the plugs.



- ④ Connect the PCBA on the mounting plate and twist the two knobs to **close**.
- ⑤ Fixate the lamp base back to the mounting plate.
- ⑥ Complete



WEVER & DUCRÉ  
LIGHTING

www.weverducre.com

Wever & Ducre bvba Spinnerijstraat 99/21 8500 Kortrijk

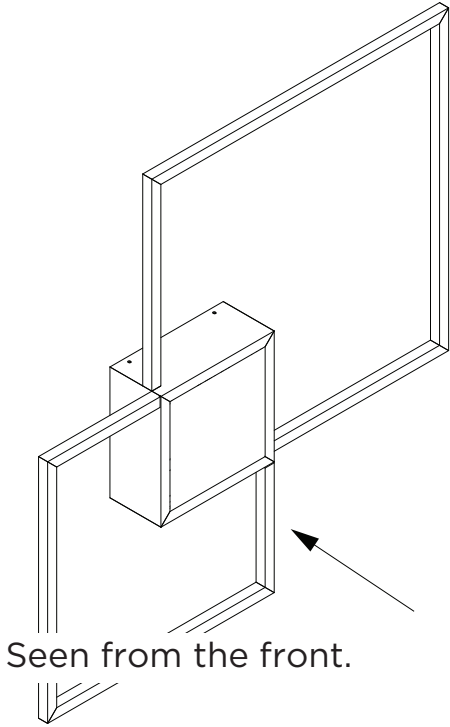
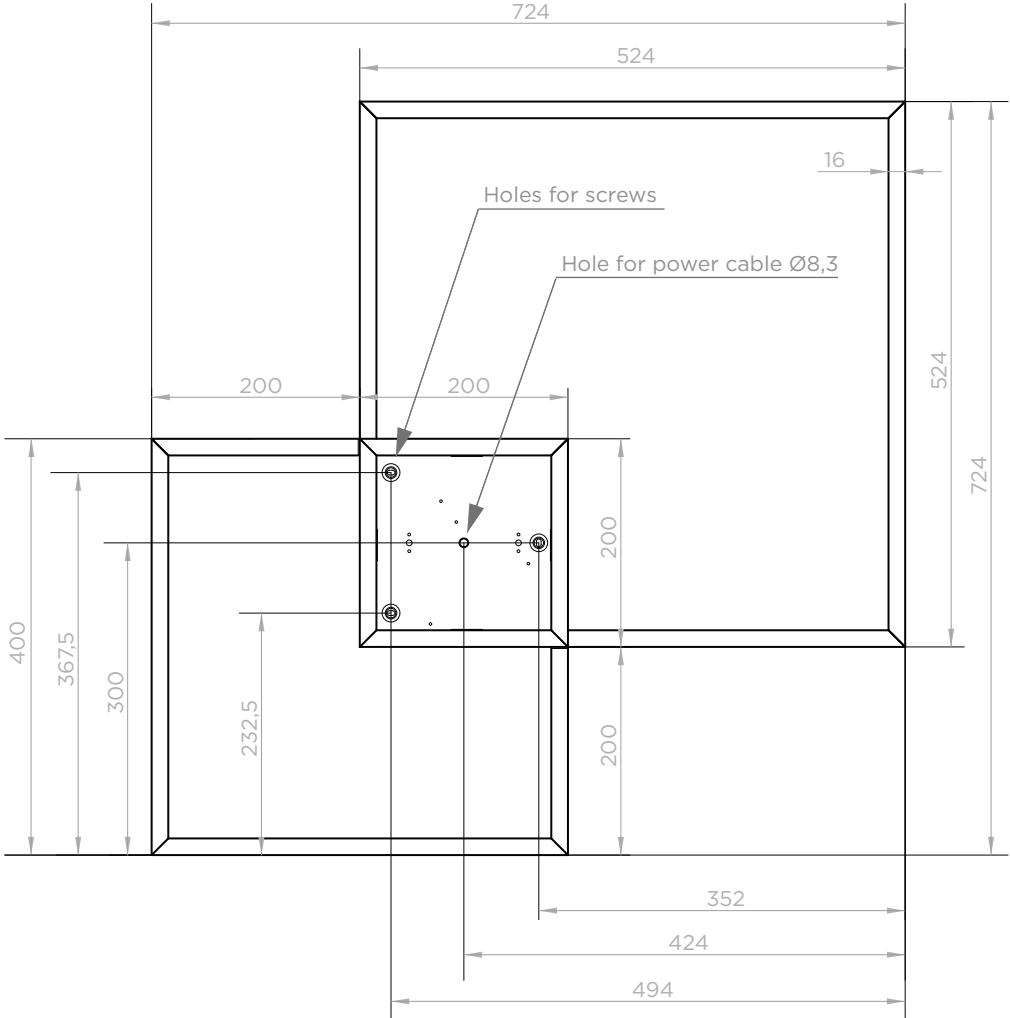
INSTALLATION  
INSTRUCTIONS

PAGE 1/2

# VENN 2.0

**DETAILED MOUNTING INSTRUCTION**  
11-Sep-2018

**DETAILED DIMENSIONS VENN:**



Seen from the front.

